

V75100



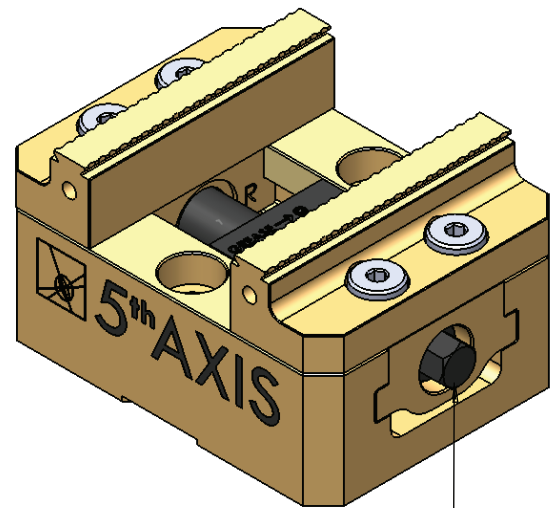
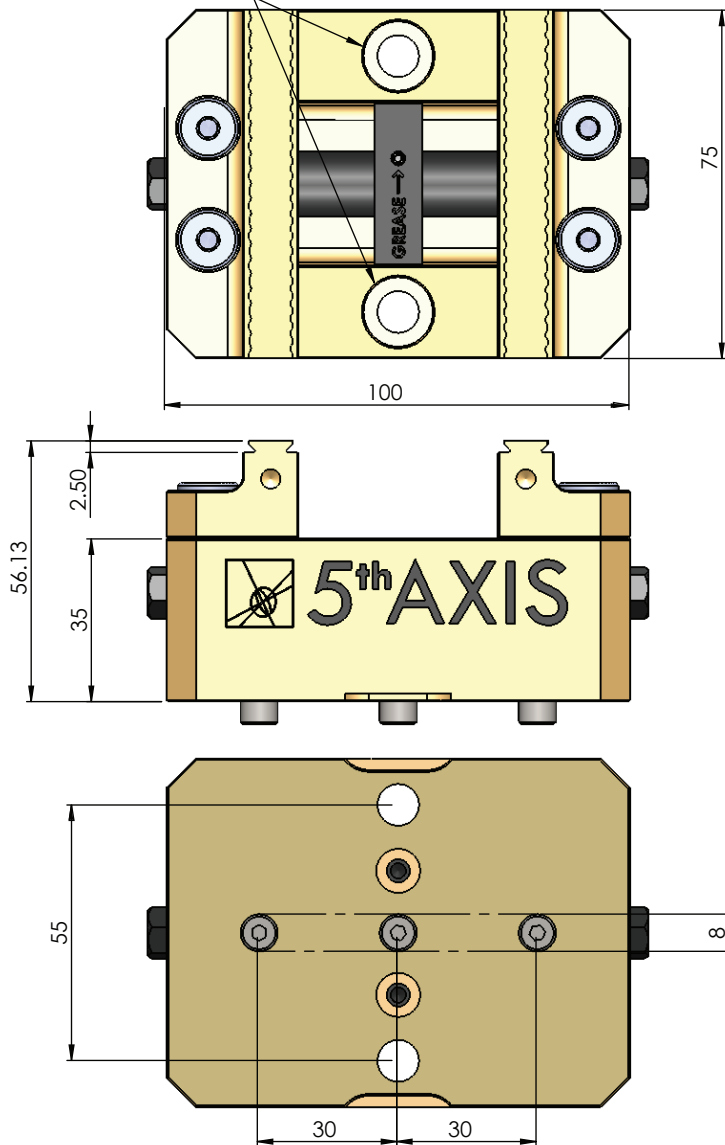
Left click and scroll to interact with this 3D model

Enable 3D View

Technical Data	V75100
Jaw Length	75mm
Clamping Force (@ 60 Nm)	13 kN
Jaw Opening	0-105mm
Step Depth	2.50mm
Jaw Height	21mm
Centering Accuracy	0.0127mm

All dimensions are shown in millimeters

Drilled and counter bored for M8 Socket head Cap Screws



10 mm Hex Leadscrew

